



Hosoe Facility in JAPAN

Compact General Purpose Dust Collector

VF-5N Series

Compact & Powerful

Ideal size and performance!!

● Perfect for use with all types of processing machines.

NEW



- Dental work
- Processing of electronic parts and boards
- Processing of jewelry, ornaments, eyeglasses, keys
- And all other types of cutting, polishing, and perforation processes

Powerful Environment Cleaning
Ideal companion for all cutting and polishing work.

VF-5NA
(automatic filter clearing type)

Compact unit delivers powerful air intake. Maintains a Clean Work Environment



Dental work



Key-making



Jewelry processing

● Processes that generate sparks require additional installation of a "pre-dust" box

Powerful suction from compact, quiet, energy-saving unit.

The VF-5N's small output generates high-volume airflow while producing very low running noise (approx.65dB(A)). The unit is so quiet that you can work right next to it without distraction.

Compact design fits snugly under workbench.

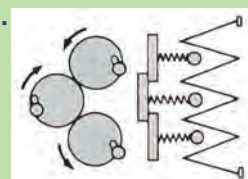
This small unit fits nicely under your workbench, and is light enough to be easily moved. (Optional casters are available.)

Easy to configure with all types of processing equipment.



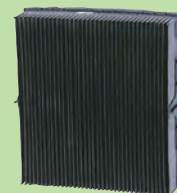
New "triple shaker" mechanism provides excellent cleaning of filter element.

Action of three shaking units effectively removes accumulated dust from filter. The unit automatically shakes filter clean when the unit turned off. (Model VF-5NA only)

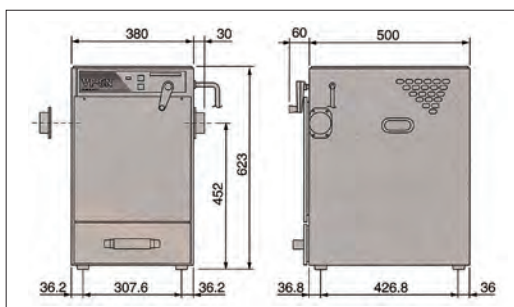


Employs bridge-type filter for wide filtering area.

In addition to the standard filter, the VF-5N also accepts Amano's specially designed "finefil" filter. This optional filter offers superlative dust capture and filtration. The filter is cartridge-type for easy replacement.



■ Dimensions (mm)



■ Specifications

	VF-5N	VF-5NA
Power Source	Single-phase, triple-phase, (50/60Hz)	
Output	0.4kW	
Airflow Capacity(m ³ /min)	0	3.5
Static pressure(kPa)	2.65	1.76
Noise	Less than 65±2dB[A]	
Filter	Area	1.6m ²
	No.of.filters	1
	Shape	Cartridge
Dustremoval	Manual shaking	Automatic shaking
Bucket capacity	6.5ℓ	
Power cord	• Single-phase, 2.3m (2 core without plug) • 3-phase, 2.7m (4 core without plug)	
Inlet diameter	Φ63.5mm(installed on right panel)	
Dimensions WxLxH	380mmx500mmx623mm	
Mass	43kg	46kg

Automatic shutoff feature shuts down power if:

- Powe phases are reversed
- Phase is missing
- Voltage drops abnormally

Unit can be set up for remote control through optional contact point (factory-installed option).



VF-5N
(manual-clearing model)

⚠ Usage Safety Precautions

- Read the manual carefully before using, and operate accordingly.
- Do not allow unit collect in the following materials:
 - Flammable materials (gasoline, thinner, benzene, kerosene, paint, etc.)
 - Explosive dust (aluminum, magnesium, titanium, epoxy, organic solvent, etc.)
 - Dust contaminated with sparks (from high-speed cutters, grinders, welding machines, etc.)
 - Smoldering material (cigarette ash, other ash, etc.)
 - Liquids (water, oil, liquid chemicals, etc.)
- This model is not explosion-proof type. Do not install the machine at hazardous area designated by ordinance.
- The ambient temperature is 0 to 40°C.
- Please remove the dust every day and do not leave them in a bucket.
- Please read the maintenance instruction in the operation manual and maintain daily and periodic inspection.
- Do not operate the oil mist collector in or near a place where pervaded with inflammable, explosive andcorrosive fume, smoke and gas, or where the dust that could cause dust explosion scattered.
- To prevent electrical shock, make sure the unit is properly grounded.
- Amano offers dust collectors specifically designed for use with explosive materials. Information available on request.
- If using this unit with a metal cutting process that may generate sparks, you MUST install a "pre-dust"box.

Specifications and descriptions contained in this catalog may be subject to change without notice.

Please direct any questions to:

AMANO Corporation

275 MAMEDO-CHO, KOHOKU-KU, YOKOHAMA,
JAPAN 222-8558
TEL.+81-45-439-1508 FAX.+81-45-439-1150
<http://www.amano.co.jp/> / English/